



# 천조코퍼레이션

CHUNJO CORPORATION

# KOBELCO

# CKE1800

**Max. Lifting Capacity: 180 t**  
**Max. Boom Length: 85.3 m**  
**Max. Jib Length: 30.5 m**  
**Max. Luffing Jib: 51.8 m**

## S P E C I F I C A T I O N S

### Heavy Duty Boom

Max. Lifting Capacity	180 t/3.75 m
Max. Length	12.2 m

### Standard Crane Boom

Max. Lifting Capacity	160 t/4.4 m
Max. Length	85.3 m

### Luffing Main Boom

Max. Lifting Capacity	110 t/5.2 m
Max. Length	54.9 m

### Long Boom

Max. Lifting Capacity	40.1 t/12 m
Max. Length	61.0~85.3 m

### Crane Jib

Max. Lifting Capacity	26.8 t
Max. Length	30.5 m
Max. Combination	73.2 m + 30.5 m

### Luffing Jib

Max. Lifting Capacity	48.5 t/9.14 m
Length	21.3 m ~ 51.8 m
Combination	21.3 m ~ 54.9 m + 51.8 m
Luffing Angle	60° ~ 88°

### Power Plant

Model	Mitsubishi 6D24-TLU2D
Engine Output	235 kW/2,000 rpm
Fuel Tank Capacity	400 liters

### Main & Aux. Winch

Max. Line Speed	100 m/min (1st layer)
Rated Line Pull	132 kN (13.4 tf)
Max. Line Pull	245 kN (25.0 tf) (1st layer)
Wire Rope Diameter	25 mm
Wire Rope Length	430 m (main) 335 m (aux.)
Brake Type	Wet-type multiple disc brake
Free Fall	Option

### Working Speed

Swing	2.6 min <sup>-1</sup> (rpm)
Travel	1.1/0.7 km/h

### Hydraulic System

Pumps	3 variable displacement
Max. Pressure	31.9 MPa (325 kg/cm <sup>2</sup> )
Hydraulic Tank Capacity	550 liters

### Self Erection Device

	Standard
--	----------

### Weight



## CHUNJO Corporation

9F Jung Woo B/D, 1111, Chunhodaero, Gangdong-gu, Seoul, Republic of Korea 05544

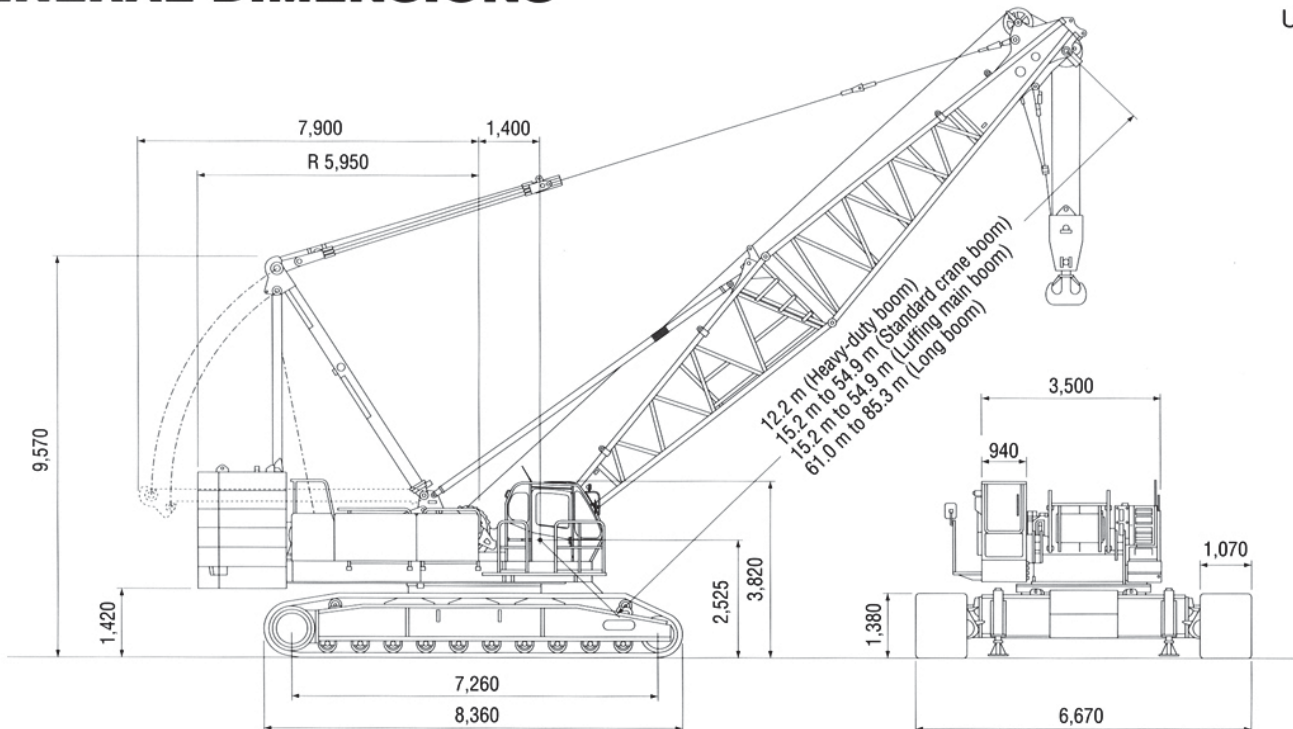
Tel : 82-2-489-3438

Fax : 82-2-489-3439

[www.chunjo.com](http://www.chunjo.com)

## GENERAL DIMENSIONS

Unit: mm



**KOBELCO CONSTRUCTION MACHINERY CO., LTD.**



# MAIN BOOM LIFTING CAPACITY

Unit: ton

Boom length m (ft)	12.2 (40)	15.2 (50)	18.3 (60)	21.3 (70)	24.4 (80)	27.4 (90)	30.5 (100)	33.5 (110)	36.6 (120)	39.6 (130)	42.7 (140)	45.7 (150)	48.8 (160)	51.8 (170)	54.9 (180)	57.9 (190)	61.0 (200)	64.0 (210)	67.1 (220)	70.1 (230)	73.2 (240)	76.2 (250)	79.2 (260)	82.3 (270)	85.3 (280)						
4.0	3.75m/180.0	4.4m/160.0	4.9m/144.2																												
5.0	141.6	141.6	141.6	5.4m/131.4	5.9m/121.3																										
6.0	119.3	119.3	119.3	119.3	119.3	6.4m/112.0	6.9m/103.9																								
7.0	102.7	102.7	102.7	102.7	102.7	102.7	102.5	7.4m/97.1	7.9m/90.6																						
8.0	89.5	89.5	89.5	89.5	89.5	89.5	89.5	89.5	89.5	8.4m/80.3	8.9m/76.8																				
9.0	79.0	79.0	79.0	79.0	79.0	79.0	79.0	79.0	79.0	78.4	76.3	9.4m/70.6																			
10.0	71.5	71.5	71.5	71.5	71.5	71.5	71.5	71.5	71.5	70.2	68.4	66.6	10.0m/65.4	10.5m/60.7	11.0m/56.4	11.5m/52.4															
12.0		58.8	58.7	58.6	58.5	58.4	58.3	58.2	58.2	57.8	56.5	55.1	54.0	52.8	51.5	50.5	12.0m/48.3	12.5m/44.7	13.0m/41.2	13.5m/38.0											
14.0		47.2	47.7	47.6	47.4	47.3	47.2	47.0	47.0	46.9	46.7	46.5	46.0	45.0	43.9	43.2	42.3	41.5	40.1	37.5	14.0m/34.5	14.5m/31.8	15.0m/29.0	15.5m/25.9							
16.0		14.8m/41.9	40.2	40.1	39.9	39.8	39.6	39.4	39.4	39.3	39.1	38.9	38.8	38.6	38.1	37.5	36.7	36.1	35.3	34.8	32.2	30.1	27.9	25.3	16.1m/21.0						
18.0			17.5m/35.9	34.4	34.2	34.1	34.0	33.7	33.7	33.6	33.3	33.2	33.1	32.9	32.7	32.7	32.3	31.8	31.1	30.7	29.8	27.8	25.9	22.9	19.0						
20.0				30.1	29.8	29.6	29.5	29.3	29.2	29.1	28.9	28.7	28.6	28.4	28.3	28.2	28.0	27.9	27.7	27.3	26.7	25.8	23.9	20.9	17.2						
22.0				20.1m/29.9	26.5	26.3	26.2	25.9	25.8	25.7	25.5	25.3	25.3	25.0	24.9	24.8	24.6	24.5	24.4	24.2	24.0	23.6	22.0	19.1	15.6						
24.0					22.7m/25.4	23.6	23.4	23.2	23.0	22.9	22.7	22.5	22.4	22.2	22.1	22.0	21.9	21.7	21.6	21.4	21.4	21.3	20.3	17.5	14.2						
26.0						25.4m/22.0	21.1	20.9	20.7	20.6	20.4	20.2	20.1	19.9	19.7	19.7	19.4	19.4	19.2	19.0	19.0	18.9	18.7	16.0	13.0						
28.0							28.0m/19.2	19.0	18.8	18.7	18.5	18.3	18.2	18.0	17.8	17.7	17.5	17.5	17.3	17.1	17.0	17.0	16.8	14.7	11.8						
30.0								17.4	17.2	17.1	16.9	16.7	16.6	16.4	16.2	16.1	15.9	15.8	15.6	15.5	15.4	15.3	15.2	13.5	10.8						
32.0									30.7m/16.9	15.8	15.7	15.4	15.2	15.1	14.9	14.7	14.6	14.4	14.3	14.2	14.0	13.9	13.8	12.4	9.9						
34.0										33.3m/15.0	14.4	14.2	14.0	13.9	13.6	13.5	13.4	13.2	13.1	12.9	12.8	12.7	12.6	11.4	9.0						
36.0											35.9m/13.4	13.1	13.0	12.8	12.6	12.4	12.3	12.1	12.0	11.9	11.7	11.6	11.5	11.3	10.4	8.2					
38.0												12.2	12.1	11.8	11.7	11.4	11.3	11.2	11.1	10.9	10.8	10.7	10.5	10.3	9.6	7.4					
40.0													38.6m/12.0	11.1	11.0	10.7	10.6	10.4	10.2	10.2	10.0	9.8	9.7	9.4	6.7						
42.0														41.2m/10.7	10.3	10.0	9.9	9.7	9.5	9.4	9.3	9.1	9.0	8.9	8.0	6.0					
44.0															43.8m/9.7	9.4	9.2	9.0	8.9	8.8	8.5	8.4	8.3	8.0	7.3	5.4					
46.0																8.7	8.5	8.4	8.2	8.1	7.9	7.7	7.6	7.5	7.4	6.6	4.8				
48.0																	46.5m/8.6	8.0	7.9	7.6	7.6	7.4	7.2	7.1	7.0	6.8	4.2				
50.0																		49.1m/7.7	7.4	7.1	7.0	6.9	6.7	6.6	6.5	6.3	5.4	3.7			
52.0																				51.8m/6.9	6.7	6.6	6.4	6.2	6.0	5.8	5.4	3.2			
54.0																					6.2	6.2	6.0	5.7	5.6	5.5	5.3	4.7			
56.0																						54.4m/6.1	5.8	5.5	5.3	5.2	5.0	4.8	3.8	2.2	
58.0																						57.0m/5.5	5.1	4.9	4.7	4.6	4.4	3.3	1.8		
60.0																							59.7m/4.8	4.5	4.4	4.2	4.0	2.8	59.0m/1.6		
62.0																								4.2	4.0	3.9	3.7	2.4			
64.0																									62.3m/4.1	3.7	3.6	3.3	1.9		
66.0																											65.0m/3.5	3.2	2.9	65.0m/1.7	
68.0																												67.6m/3.0	2.4		
70.0																													70.0m/2.0		

- Note: 1. Rating according to DIN 15018/3 and prEN 13000.  
 2. Rating shown in   are determined by the strength of the boom or other structural components.  
 3. Instruction in the operator's manual must be strictly observed when operating the machine.  
 4. ★ 1: With heavy duty boom top.

## FIXED JIB LIFTING CAPACITY

(counterweight: 60.6 t, carbodyweight: 20.0 t, without main hook)

Jib Offset Angle: 10°

Boom length	24.4 m		48.8 m		73.2 m		
	Jib length	12.2 m	30.5 m	12.2 m	30.5 m	12.2 m	30.5 m
9.0 m		9.8 m/26.8					
10.0 m		26.8					
12.0 m		26.5		13.4 m/26.8			
14.0 m		23.1	14.0 m/6.1	26.6			
16.0 m		20.7	5.9	25.6			
18.0 m		19.2	5.8	24.1	18.3 m/6.0	18.3 m/19.1	
20.0 m		18.0	5.6	23.0	5.9	18.8	
22.0 m		16.9	5.3	21.8	5.8	18.4	22.9 m/6.0
24.0 m		16.0	5.0	20.8	5.7	18.0	5.9
26.0 m		15.2	4.8	19.9	5.6	17.6	5.8
28.0 m		14.4	4.6	18.3	5.4	16.9	5.7
30.0 m		13.7	4.4	16.6	5.2	15.2	5.6
34.0 m		33.5 m/12.7	4.0	13.9	4.9	12.5	5.4
38.0 m			3.7	11.8	4.5	10.4	5.2
42.0 m			3.4	10.2	4.3	8.8	4.9
46.0 m			3.2	8.8	4.0	7.3	4.6
50.0 m			3.0	7.7	3.8	6.3	4.4
54.0 m			50.3 m/3.0	6.8	3.6	5.3	4.2
58.0 m				54.9 m/6.6	3.4	4.4	4.0
62.0 m					3.3	3.5	3.8
66.0 m					3.2	2.8	3.6
70.0 m					3.0	2.1	2.9
74.0 m					70.1 m/3.0	70.1 m/2.0	2.4
78.0 m							77.7 m/2.0

Jib Offset Angle: 30°

Boom length	24.4 m		48.8 m		73.2 m			
	Jib length	12.2 m	30.5 m	12.2 m	30.5 m	12.2 m	30.5 m	
12.0 m		13.4 m/17.2						
14.0 m		17.2						
16.0 m		16.0						
18.0 m		15.2		18.3 m/16.9				
20.0 m		14.3		16.5		21.3 m/17.2		
22.0 m		13.5		16.1		17.1		
24.0 m		12.7	24.4 m/4.1	15.6		16.7		
26.0 m		12.1	4.0	15.1	27.4 m/4.2	16.4		
28.0 m		11.6	3.9	14.5	4.1	16.0		
30.0 m		11.2	3.7	14.0	4.0	15.6	32.0 m/4.1	
34.0 m		33.5 m/10.6	3.4	13.1	3.8	13.1	4.0	
38.0 m			3.3	12.1	3.6	10.9	3.9	
42.0 m			3.1	10.4	3.4	9.1	3.7	
46.0 m			3.0	9.0	3.4	7.7	3.6	
50.0 m			2.9	48.8 m/8.2	3.2	6.5	3.4	
54.0 m			51.8 m/2.9		3.1	5.6	3.4	
58.0 m					3.0	4.6	3.3	
62.0 m					2.9	3.7	3.2	
66.0 m					2.9	2.9	3.1	
70.0 m						67.1 m/2.9	67.1 m/2.8	3.0
74.0 m							2.9	
78.0 m							2.4	
82.0 m							1.8	
84.0 m							82.3 m/1.8	



**LUFFING JIB LIFTING CAPACITY (Boom Angle Fixed Type 88° and 80°)**

Boom length	24.4 m												30.5 m											
	21.3 m		27.4 m		33.5 m		39.6 m		45.7 m		51.8 m		21.3 m		27.4 m		33.5 m		39.6 m		45.7 m		51.8 m	
Boom Angle	88°	80°	88°	80°	88°	80°	88°	80°	88°	80°	88°	80°	88°	80°	88°	80°	88°	80°	88°	80°	88°	80°	88°	80°
10.0 m	47.4												47.4											
12.0 m	47.4		47.4										47.4		47.4									
14.0 m	44.0		43.9		43.7		34.6						45.2		45.1		44.9							
16.0 m	36.4	40.6	36.3		36.1		33.6						37.2		37.2		37.0		33.7					
18.0 m	30.7	34.6	30.6		30.4		30.5		22.9				31.4	34.2	31.2		31.1		31.0		23.1			
20.0 m	26.6	30.3	26.5	30.2	26.3		26.4		21.3		16.4		27.0	30.3	27.0	29.6	26.8		27.0		21.4		16.5	
22.0 m	23.3	26.8	23.2	26.7	23.0	26.5	23.1		19.8		15.2		23.7	26.6	23.5	26.3	23.4	26.0	23.5		19.9		15.2	
24.0 m		24.0	20.6	23.9	20.4	23.7	20.4	23.5	18.5		14.1			23.7	20.8	23.5	20.7	23.3	20.7		18.6		14.2	
26.0 m		21.8	18.4	21.6	18.2	21.4	18.2	21.3	17.3	19.8	13.2			21.5	18.6	21.2	18.5	21.0	18.5	20.9	17.4		13.2	
28.0 m			16.6	19.7	16.4	19.5	16.4	19.4	16.3	18.5	12.3	14.0			16.8	19.4	16.6	19.2	16.6	19.0	16.4	18.6	12.3	
30.0 m				18.0	14.9	17.9	14.9	17.7	14.9	17.3	11.5	13.0				17.8	15.0	17.5	15.0	17.4	15.1	17.1	11.5	13.5
34.0 m						14.8	12.4	14.9	12.4	14.5	10.2	11.4						14.9	12.5	14.8	12.6	14.6	10.3	11.8
38.0 m						12.4	10.5	12.4	10.4	12.2	9.1	10.1						12.9	10.5	12.8	10.7	12.6	9.1	10.4
42.0 m								10.5	9.0	10.3	8.2	9.0								11.0	9.1	10.8	8.2	9.3
46.0 m										8.8	7.3	8.2										9.2	7.4	8.3
50.0 m										7.7	6.5	7.3										7.9	6.5	7.5
52.0 m												6.3												6.6
54.0 m												5.9												6.2

Boom length	36.6 m												42.7 m											
	21.3 m		27.4 m		33.5 m		39.6 m		45.7 m		51.8 m		21.3 m		27.4 m		33.5 m		39.6 m		45.7 m		51.8 m	
Boom Angle	88°	80°	88°	80°	88°	80°	88°	80°	88°	80°	88°	80°	88°	80°	88°	80°	88°	80°	88°	80°	88°	80°	88°	80°
10.0 m	47.4												47.4											
12.0 m	47.4		47.4										47.4		47.4									
14.0 m	46.3		46.3		46.0								47.4		47.3		40.1							
16.0 m	38.1		38.0		37.8		33.7						38.9		38.8		37.9		33.8					
18.0 m	31.9		31.9		31.7		31.5		23.2				32.4		32.4		32.3		32.0		23.3			
20.0 m	27.5	29.5	27.4	29.1	27.2		27.5		21.5		16.5		27.9	28.8	27.9		27.6		27.9		21.7		16.7	
22.0 m	23.9	26.2	23.9	25.9	23.8		23.9		20.0		15.3		24.2	25.7	24.2	25.3	24.1		24.3		20.2		15.4	
24.0 m		23.4	21.1	23.1	21.0	22.9	21.0		18.7		14.2			22.9	21.3	22.8	21.2		21.3		18.8		14.3	
26.0 m		21.1	18.8	20.9	18.7	20.8	18.7	20.3	17.6		13.2			20.7	19.0	20.6	18.9	20.4	19.0	19.8	17.6		13.3	
28.0 m		19.2	16.9	19.0	16.8	18.9	16.9	18.7	16.5	18.2	12.3			18.9	17.1	18.8	17.0	18.5	17.0	18.3	16.5		12.4	
30.0 m				17.4	15.2	17.4	15.2	17.0	15.3	16.9	11.6					17.1	15.4	16.9	15.4	16.6	15.4	16.3	11.6	
34.0 m				14.8		14.8	12.6	14.5	12.7	14.3	10.3	12.2			14.6		14.4	12.7	14.1	12.8	13.9	10.3	11.7	
38.0 m						12.7	10.7	12.6	10.7	12.3	9.1	10.7					12.6	10.7	12.2	10.8	12.1	9.2	10.3	
42.0 m								11.0	9.2	10.8	8.2	9.5								10.7	9.2	10.5	8.2	9.3
46.0 m										9.5	7.4	8.5							9.4		9.2	7.4	8.3	
50.0 m										8.2	6.5	7.7									8.2	6.6	7.5	
54.0 m												6.8												6.8
58.0 m																								6.3

Boom length	48.8 m												54.9 m											
	21.3 m		27.4 m		33.5 m		39.6 m		45.7 m		51.8 m		21.3 m		27.4 m		33.5 m		39.6 m		45.7 m		51.8 m	
Boom Angle	88°	80°	88°	80°	88°	80°	88°	80°	88°	80°	88°	80°	88°	80°	88°	80°	88°	80°	88°	80°	88°	80°	88°	80°
10.0 m	47.4																							
12.0 m	47.4		42.4										41.5		42.4									
14.0 m	47.1		40.1		40.1								40.1		39.1		37.6							
16.0 m	39.7		38.4		38.3		33.8						37.9		36.3		34.8		30.5					
18.0 m	33.0		33.0		32.8		32.3		23.5				33.5		33.2		32.4		26.8		23.6			
20.0 m	28.3	28.2	28.3		28.1		28.4		21.8		16.8		28.7		28.7		29.1		26.7		22.0		17.0	
22.0 m	24.6	25.1	24.6		24.5		24.6		20.3		15.5		24.8	24.5	24.9		25.2		25.0		20.4		15.6	
24.0 m	21.3	22.5	21.6	22.2	21.5		21.6		18.9		14.4		21.7	22.0	21.8	21.7	22.1		21.9		19.0		14.5	
26.0 m		20.3	19.2	20.1	19.1	19.9	19.2		17.7		13.3			19.9	19.4	19.7	19.7	19.1	19.4		17.7		13.4	
28.0 m		18.5	17.2	18.3	17.1	18.1	17.2	17.6	16.6		12.5			18.2	17.4	17.9	17.6	17.7	17.4		16.7		12.5	
30.0 m		16.9		16.8	15.4	16.5	15.5	16.3	15.5		11.7			16.6	15.6	16.4	15.9	16.1	15.7	15.7	15.7		11.7	
34.0 m				14.3	12.8	14.1	12.8	13.8	13.0	13.6	10.3	13.1				13.9	13.1	13.8	12.9	13.4	13.1	13.2	10.4	12.5
38.0 m						12.2	10.7	11.9	10.8	11.7	9.2	11.4						11.8	10.8	11.6	10.9	11.3	9.2	11.1
42.0 m								10.4	9.3	10.2	8.2	9.9					10.4		10.1	9.4	9.9	8.3	9.7	
46.0 m								9.2		9.0	7.4	8.7							8.9		8.7	7.4	8.6	
50.0 m										8.0	6.6	7.7									7.7	6.3	7.6	
54.0 m												6.9										6.9		6.8
58.0 m												6.2												6.1
60.0 m																								5.5

- Note: 1. Rating according to DIN 15018/3 and prEN 13300.
- 2. Rating shown in   are determined by the strength of the boom or other structural components.
- 3. Instruction in the operator's manual must be strictly observed when operating the machine.



# BOOM & JIB ARRANGEMENT

## CRANE BOOM ARRANGEMENT

Boom length m (ft)	Boom arrangement
15.2 (50)	Base-Tip
18.3 (60)	Base-A-Tip
21.3 (70)	Base-A-A-Tip, Base-B-Tip
24.4 (80)	Base-A-B-Tip, Base-C-Tip
27.4 (90)	Base-A-A-B-Tip, Base-A-C-Tip
30.5 (100)	Base-A-A-C-Tip, Base-B-C-Tip
33.5 (110)	Base-A-B-C-Tip, Base-C-C-Tip
36.6 (120)	Base-A-A-B-C-Tip, Base-A-C-C-Tip
39.6 (130)	Base-A-A-C-C-Tip, Base-A-B-B-C-Tip, Base-B-C-C-Tip
42.7 (140)	Base-A-B-C-C-Tip, Base-A-A-B-B-C-Tip, Base-C-C-C-Tip
45.7 (150)	Base-A-A-B-C-C-Tip, Base-B-B-C-C-Tip, Base-A-C-C-C-Tip
48.8 (160)	Base-A-A-C-C-C-Tip, Base-A-B-B-C-C-Tip, Base-B-C-C-C-Tip
51.8 (170)	Base-C-C-C-C-Tip, Base-A-B-C-C-C-Tip, Base-A-A-B-B-C-C-Tip
54.9 (180)	Base-A-A-B-C-C-C-Tip, Base-A-C-C-C-C-Tip, Base-B-B-C-C-C-Tip
57.9 (190)	Base-A-A-C-C-C-C-Tip, Base-A-B-B-C-C-C-Tip, Base-B-C-C-C-C-Tip
61.0 (200)	Base-A-B-C-C-C-C-Tip, Base-A-A-B-B-C-C-C-Tip
64.0 (210)	Base-A-B-C-C-C-D-Tip, Base-A-A-B-B-C-C-D-Tip, Base-C-C-C-C-D-Tip
67.1 (220)	Base-A-A-B-C-C-C-D-Tip, Base-A-C-C-C-C-D-Tip, Base-B-B-C-C-C-D-Tip
70.1 (230)	Base-A-A-C-C-C-C-D-Tip, Base-A-B-B-C-C-C-D-Tip, Base-B-C-C-C-C-D-Tip
73.2 (240)	Base-A-B-C-C-C-C-D-Tip, Base-A-A-B-B-C-C-C-D-Tip
76.2 (250)	Base-A-B-C-C-C-D-D-Tip, Base-A-A-B-B-C-C-D-D-Tip, Base-C-C-C-C-D-D-Tip
79.3 (260)	Base-A-A-B-C-C-C-D-D-Tip, Base-A-C-C-C-C-D-D-Tip, Base-B-B-C-C-C-D-D-Tip
82.3 (270)	Base-A-A-C-C-C-C-D-D-Tip, Base-A-B-B-C-C-C-D-D-Tip, Base-B-C-C-C-C-D-D-Tip
85.3 (280)	Base-A-B-C-C-C-C-D-D-Tip

Base Boom Length and Boom Tip Length

Base = 8.8 m (29'), Tip = 7.4 m (24')

Insert Boom

A = 3.0 m (10'), B = 6.1 m (20'), C = 9.1 m (30'),

D = 12.2 m (40')

## FIXED JIB ARRANGEMENT

Jib length m (ft)	Jib arrangement
12.2 (40)	Base-A-Tip
18.3 (60)	Base-A-B-Tip
24.4 (80)	Base-A-B-B-Tip
30.5 (100)	Base-A-B-B-B-Tip

Base Jib Length and Jib Tip Length

Base = 5.1 m (17'), Tip = 5.0 m (16')

Insert Jib

A = 3.0 m (10'), B = 6.1 m (20')

The length of the boom to which the jib is attached is 24.4 m to 73.2 m.

## LONG BOOM ARRANGEMENT

Boom length m (ft)	Boom arrangement
61.0 (200)	Base-A-A-C-C-C-C-T-Ltip
64.0 (210)	Base-A-A-C-C-C-C-T-A1-Ltip
67.1 (220)	Base-A-A-C-C-C-C-T-A1-B1-Ltip, Base-A-A-C-C-C-C-T-B1-Ltip
70.1 (230)	Base-A-A-C-C-C-C-T-A1-B1-Ltip, Base-A-A-C-C-C-C-T-C1-Ltip
73.2 (240)	Base-A-A-C-C-C-C-T-A1-B1-Ltip, Base-A-A-C-C-C-C-T-A1-C1-Ltip
76.2 (250)	Base-A-A-C-C-C-C-T-A1-A1-C1-Ltip, Base-A-A-C-C-C-C-T-B1-C1-Ltip
79.3 (260)	Base-A-A-C-C-C-C-T-A1-B1-C1-Ltip, Base-A-A-C-C-C-C-T-C1-C1-Ltip
82.3 (270)	Base-A-A-C-C-C-C-T-A1-B1-C1-Ltip, Base-A-A-C-C-C-C-T-A1-C1-C1-Ltip
85.3 (280)	Base-A-B-C-C-C-C-T-A1-B1-C1-Ltip, Base-A-B-C-C-C-C-T-A1-C1-C1-Ltip

Base Boom Length and Long Boom Tip Length

Base = 8.5 m (28'), Ltip = 6.1 m (20')

Insert Boom

A = 3.0 m (10'), B = 6.1 m (20'), C = 9.1 m (30'), A1 = 3.0 m (10'), B1 = 6.1 m (20'), C1 = 9.1 m (30')

Taper Boom

T = 3.6 m (12')

## LUFFING BOOM ARRANGEMENT FOR CRANE

Boom length m (ft)	Boom arrangement
15.2 (50)	Base-A-Cap
18.3 (60)	Base-A-A-Cap, Base-B-Cap
21.3 (70)	Base-A-B-Cap, Base-C-Cap
24.4 (80)	Base-A-A-B-Cap, Base-A-C-Cap
27.4 (90)	Base-A-A-C-Cap, Base-B-C-Cap
30.5 (100)	Base-A-B-C-Cap, Base-C-C-Cap
33.5 (110)	Base-A-A-B-C-Cap, Base-A-C-C-Cap
36.6 (120)	Base-A-A-C-C-Cap, Base-B-C-C-Cap
39.6 (130)	Base-A-B-C-C-Cap, Base-C-C-C-Cap
42.7 (140)	Base-A-A-B-C-C-Cap, Base-A-C-C-C-Cap
45.7 (150)	Base-A-A-C-C-C-Cap, Base-B-C-C-C-Cap
48.8 (160)	Base-A-B-C-C-C-Cap, Base-C-C-C-C-Cap
51.8 (170)	Base-A-A-B-C-C-C-Cap, Base-A-C-C-C-C-Cap
54.9 (180)	Base-A-A-C-C-C-C-Cap, Base-B-C-C-C-C-Cap

Base Boom Length and Luffing Boom Cap Length

Base = 8.5 m (28'), Cap = 3.6 m (12')

Insert Boom

A = 3.0 m (10'), B = 6.1 m (20'), C = 9.1 m (30')

## LUFFING BOOM ARRANGEMENT FOR LUFFING

Boom length m (ft)	Boom arrangement
21.3 (70)	Base-A-B-Cap, Base-C-Cap
24.4 (80)	Base-A-A-B-Cap, Base-A-C-Cap
27.4 (90)	Base-A-A-C-Cap, Base-B-C-Cap
30.5 (100)	Base-A-B-C-Cap, Base-C-C-Cap
33.5 (110)	Base-A-A-B-C-Cap, Base-A-C-C-Cap
36.6 (120)	Base-A-A-C-C-Cap, Base-B-C-C-Cap
39.6 (130)	Base-A-B-C-C-Cap, Base-C-C-C-Cap
42.7 (140)	Base-A-A-B-C-C-Cap, Base-A-C-C-C-Cap
45.7 (150)	Base-A-A-C-C-C-Cap, Base-B-C-C-C-Cap
48.8 (160)	Base-A-B-C-C-C-Cap, Base-C-C-C-C-Cap
51.8 (170)	Base-A-A-B-C-C-C-Cap, Base-A-C-C-C-C-Cap
54.9 (180)	Base-A-A-C-C-C-C-Cap, Base-B-C-C-C-C-Cap

Base Boom Length and Luffing Boom Cap Length

Base = 8.5 m (28'), Cap = 3.6 m (12')

Insert Boom

A = 3.0 m (10'), B = 6.1 m (20'), C = 9.1 m (30')

## LUFFING JIB ARRANGEMENT

Jib length m (ft)	Jib arrangement
21.3 (70)	Base-A1-B1-Ltip, Base-C1-Ltip
24.4 (80)	Base-A1-A1-B1-Ltip, Base-A1-C1-Ltip
27.4 (90)	Base-A1-A1-C1-Ltip, Base-B1-C1-Ltip
30.5 (100)	Base-A1-B1-C1-Ltip, Base-C1-C1-Ltip
33.5 (110)	Base-A1-A1-B1-C1-Ltip, Base-A1-C1-C1-Ltip
36.6 (120)	Base-A1-A1-C1-C1-Ltip, Base-B1-C1-C1-Ltip
39.6 (130)	Base-A1-B1-C1-C1-Ltip, Base-C1-C1-C1-Ltip
42.7 (140)	Base-A1-A1-B1-C1-C1-Ltip, Base-A1-C1-C1-C1-Ltip
45.7 (150)	Base-A1-A1-C1-C1-C1-Ltip, Base-B1-C1-C1-C1-Ltip
48.8 (160)	Base-A1-B1-C1-C1-C1-Ltip
51.8 (170)	Base-A1-A1-B1-C1-C1-C1-Ltip

Base Jib Length and Jib Tip Length

Base = 6.1 m (20'), Ltip = 6.1 m (20')

Insert Luffing Jib

A1 = 3.0 m (10'), B1 = 6.1 m (20'), C1 = 9.1 m (30')



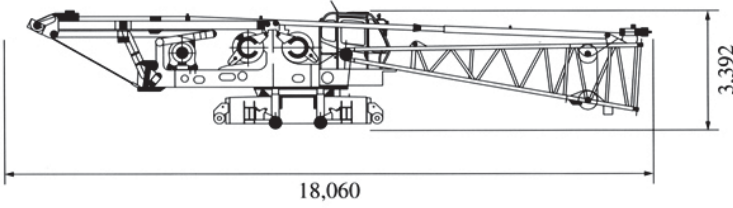


# SPECIFICATIONS OF PARTS AND ATTACHMENTS

Dimensions: mm Weight: kg

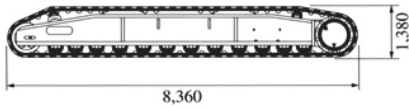
## Base Machine + Boom Base

Weight: 43,100 kg\*, Width: 3,500 mm



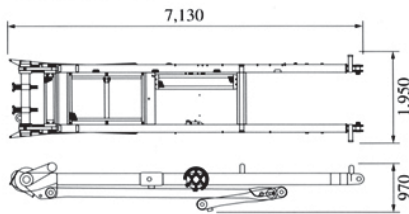
## Crawler

Weight: 17,155 kg, Width: 1,070 mm



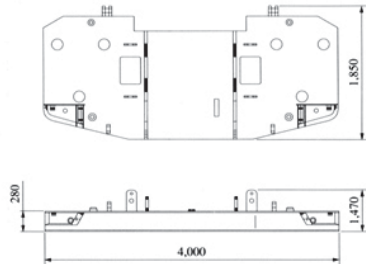
## Gantry

Weight: 2,950 kg



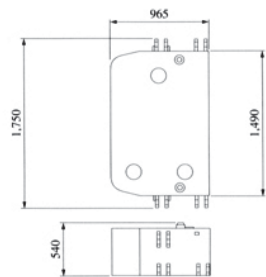
## Counterweight (A)

Weight: 10,000 kg



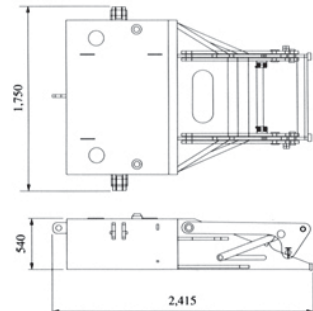
## Counterweight (B)

Weight: 5,000 kg x 12 pieces



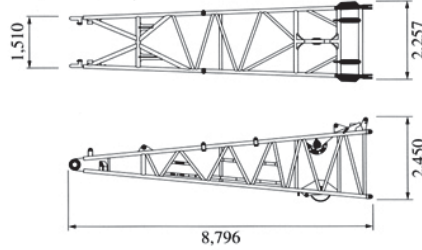
## Carbody weight (A)

Weight: 5,000 kg x 2



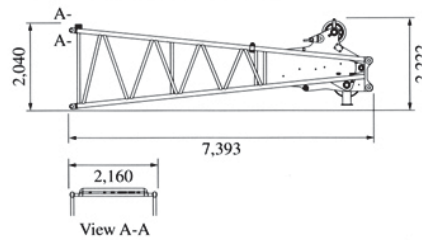
## Boom Base

Weight: 2,620 kg

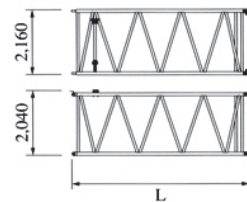


## Boom Top

Weight: 2,240 kg (with Guy Cables)



## Insert Boom

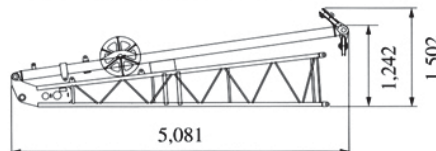


	L (mm)	Weight (kg)*
3.0 m	3,180	630 kg
6.1 m	6,230	1,028 kg
9.1 m	9,280	1,416 kg
12.2 m	12,320	1,682 kg

\* with guy cables

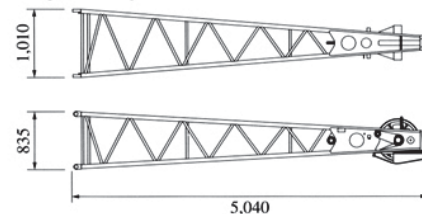
## Jib Base with Strut (For Crane)

Weight: 510 kg, Width: 1,040 mm



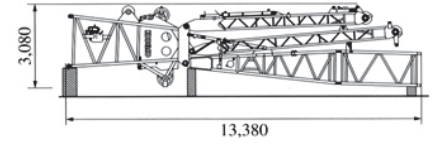
## Jib Top (For Crane)

Weight: 315 kg



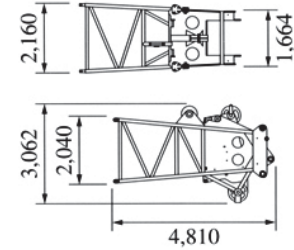
## Travel Kit Assembly

Weight: 6,600 kg



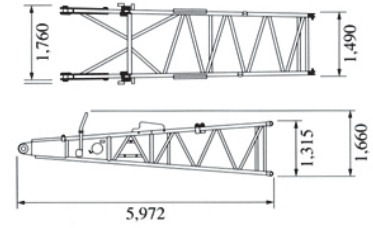
## Luffing Upper Boom

Weight: 2,545 kg



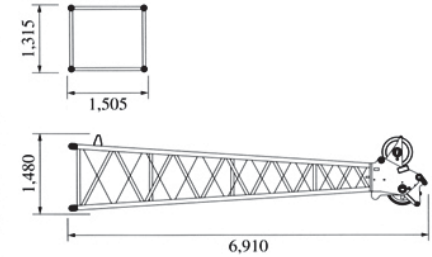
## Luffing Jib Base

Weight: 1,140 kg



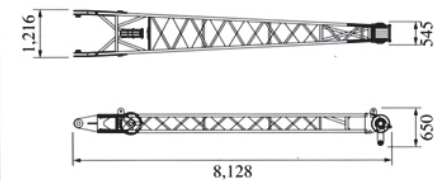
## Luffing Jib Top

Weight: 1,170 kg



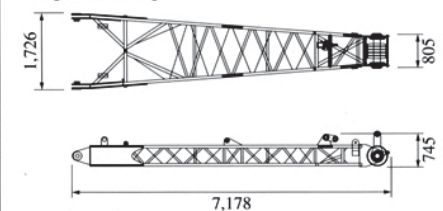
## Front Strut (Luffing Jib)

Weight: 997 kg



## Rear Strut (Luffing Jib)

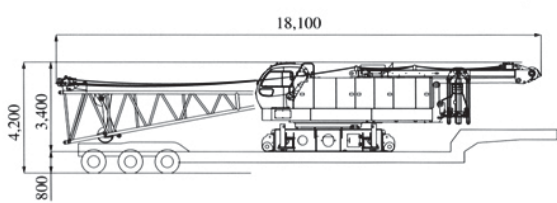
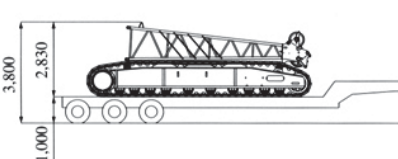
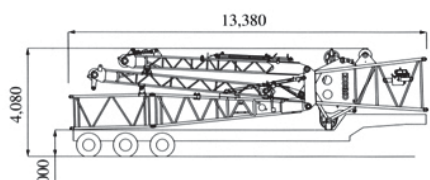
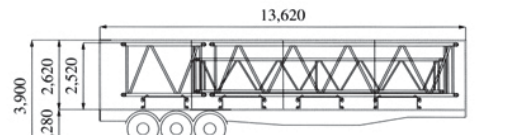
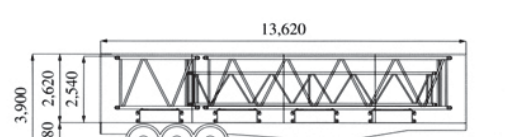

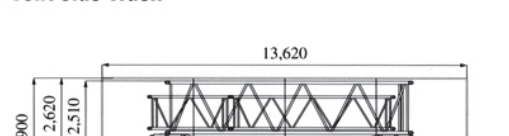
Weight: 1,088 kg





# TRANSPORTATION PLAN

(Main Boom 54.9 m + Luffing Jib 51.8 m)

Configuration	Description	Total Weight
<p><b>No.1 Low Loader</b> <span style="float: right;"><b>Width: 3,500 mm</b></span></p> 	<p>Base Machine = Including 3rd winch Translifter All wire ropes</p>	<p>45.00 ton</p>
<p><b>No.2 Semi Loader</b></p> 	<p>Crawler No.1 = Crawler No.2 = Luffing Jib Top = Total =</p>	<p>17.15 ton 17.15 ton 1.17 ton <hr/>35.47 ton</p>
<p><b>No.3 Semi Loader</b></p> 	<p>Travel Kit =</p>	<p>6.60 ton</p>
<p><b>No. 4 Tent Side Truck</b></p> 	<p>Counterweight (4 x 5.00 ton) = 30 ft Boom x 1 = 30 ft Jib x 1 = 10 ft Boom x 1 = Total =</p>	<p>20.00 ton 1.42 ton 0.74 ton 0.53 ton <hr/>22.69 ton</p>
<p><b>No.5 Tent Side Truck</b></p> 	<p>Counterweight (4 x 5.00 ton) = 30 ft Boom x 1 = 30 ft Jib x 1 = 10 ft Boom x 1 = Total =</p>	<p>20.00 ton 1.42 ton 0.74 ton 0.53 ton <hr/>22.69 ton</p>
<p><b>No.6 Tent Side Truck</b></p> 	<p>Counterweight (4 x 5.00 ton) = 30 ft Boom x 1 = 30 ft Jib x 1 = Total =</p>	<p>20.00 ton 1.42 ton 0.74 ton <hr/>22.16 ton</p>
<p><b>No.7 Tent Side Truck</b></p> 	<p>Counterweight Base = 30 ft Boom x 1 = 20 ft Jib x 1 = 10 ft Jib x 1 = Carbodyweight Base (2x5.00 ton) = Total =</p>	<p>10.00 ton 1.42 ton 0.45 ton 0.31 ton 10.00 ton <hr/>22.18 ton</p>

**Note:** This transport plan depends on your specification of trailer and the areas or countries where you transport.

# OTHER ATTACHMENTS

# CKE1800

Attachments	Weight	Dimensions (L x W x H)
Base machine (without base boom)	37,700 kg	10,400 mm x 3,800 mm x 3,390 mm
Translifter	360 kg	1,050 mm x 1,030 mm
Boom backstop	740 kg	7,086 mm x 360 mm
3.0 m (10 ft) Insert jib	110 kg	3,128 mm x 1,020 mm x 840 mm
6.1 m (20 ft) Insert jib	190 kg	6,175 mm x 1,020 mm x 840 mm
Auxiliary sheave	570 kg	1,670 mm x 1,660 mm
Upper spreader	590 kg	2,230 mm x 395 mm x 790 mm
Lower spreader	400 kg	1,500 mm x 290 mm x 780 mm
3.0 m (10 ft) Insert luffing jib	310 kg	3,165 mm x 1,490 mm x 1,290 mm
6.1 m (20 ft) Insert luffing jib	540 kg	6,210 mm x 1,490 mm x 1,290 mm
9.1 m (30 ft) Insert luffing jib	740 kg	9,280 mm x 1,490 mm x 1,290 mm
Luffing jib backstop	100 kg	2,943 mm x 226 mm
Strut backstop (luffing jib)	180 kg	2,888 mm x 268 mm
Auxiliary sheave (luffing jib)	380 kg	1,012 mm x 893 mm x 914 mm
Luffing jib drum	1,470 kg	840 mm x 1,616 mm x 900 mm
Ball hook	460 kg	1,200 mm x 380 mm dia.
35-ton hook	900 kg	1,575 mm x 365 mm x 700 mm
70-ton hook	1,200 kg	1,825 mm x 470 mm x 700 mm
100-ton hook	1,800 kg	2,025 mm x 555 mm x 700 mm
150-ton hook	2,300 kg	2,665 mm x 715 mm x 700 mm

[www.chunjo.com](http://www.chunjo.com)

**Note:** Due to our policy of continual product improvements all designs and specifications are subject to change without advance notice.



**KOBELCO CONSTRUCTION MACHINERY CO., LTD.**

**KOBELCO CONSTRUCTION MACHINERY (EUROPE) B. V.**

17-1, Higashi-Gotanda 2-chome, Shinagawa-ku, TOKYO, 141-8626 JAPAN  
Tel: ++81 (0) 3-5789-2121 Fax: ++81 (0) 3-5789-2134

Bolderweg 50, 1332 AW Almere, The Netherlands  
TEL: +31-36-549-5500 (5563) FAX: +31-36-549-5558